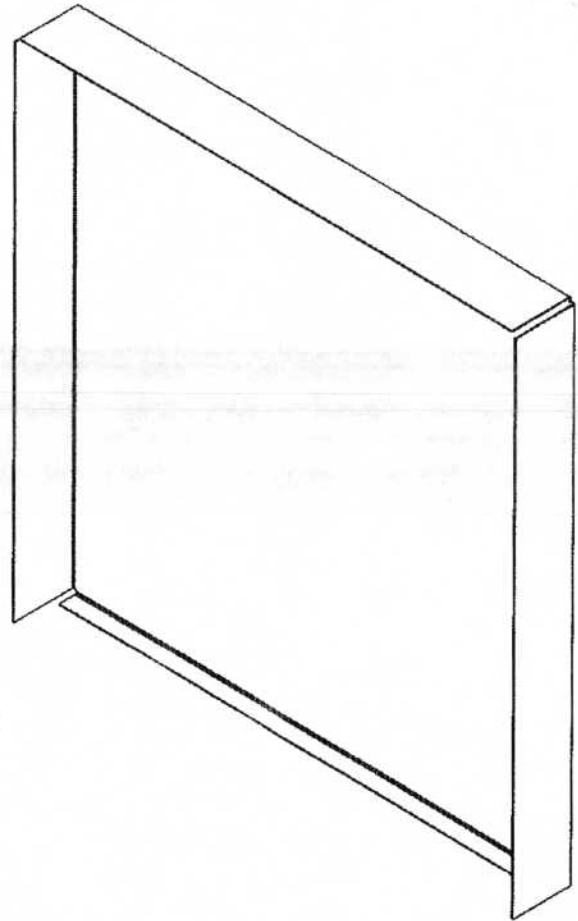
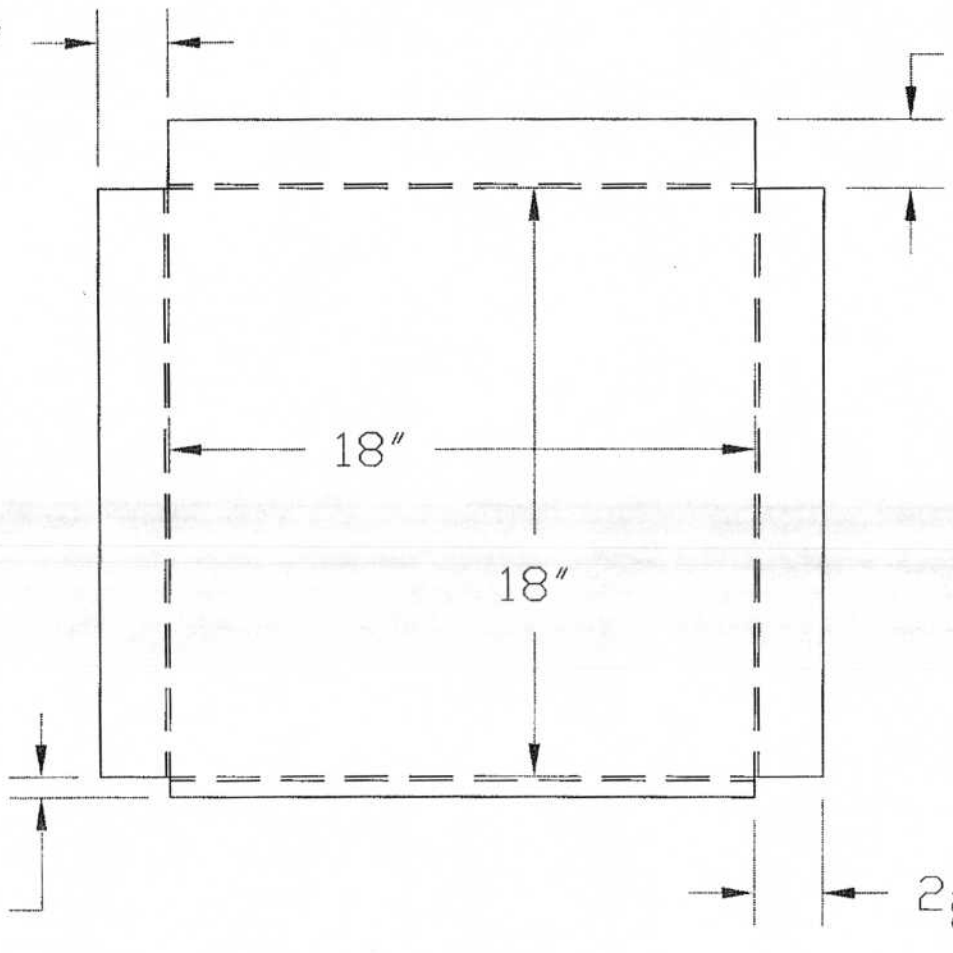


2 1/8"

2 1/8"



1/8"

2 1/8"

STRIP WIDTH & LENGTH: 22" X 20-1/2"

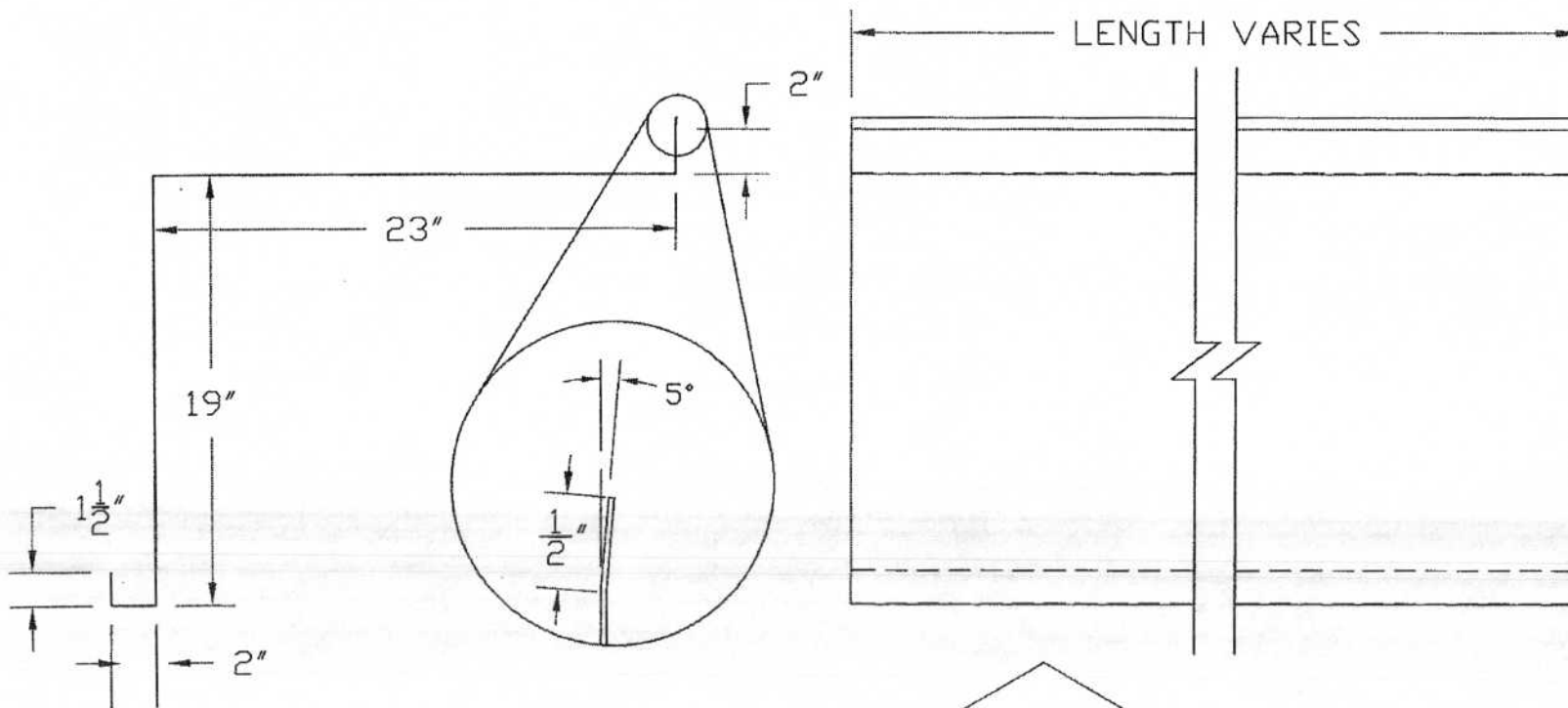
\*\*ALL DIMENSIONS I.D.\*\*

NOT TO SCALE

DATE:	1-19-04
DRAWN BY:	BECKY NELSON
APPROVED BY:	JEAN BROWN

DRAWING:	HOOD END CAP-MINI 20 GAUGE (.0315) F08040
----------	---

**JANUS INTERNATIONAL CORPORATION**  
 134 EAST LUKE ROAD TEMPLE, GA 30179-4435  
 770-562-2850/Fax 770-562-2264  
 © 2006 Janus International Corporation All Rights Reserved



STRIP WIDTH & LENGTH: 48" X LENGTH VARIES  
 \*\*ALL DIMENSIONS I.D.\*\*

NOT TO SCALE

DATE	6-16-03
DRAWN BY:	BECKY NELSON
APPROVED BY:	TODD NELSON

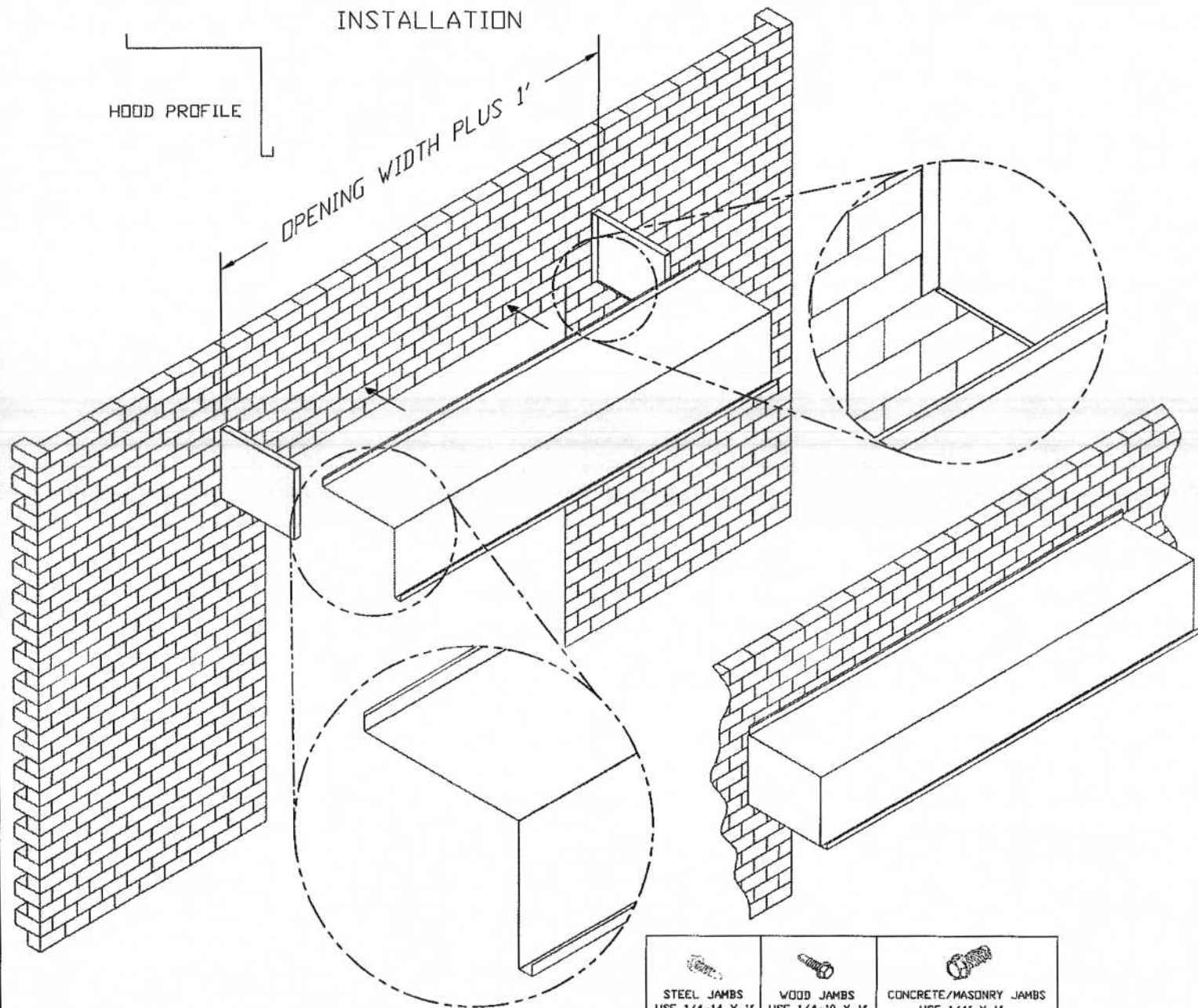
DRAWING	HOOD-COMMERCIAL
	20 GAUGE (.0315)
	F08022




<b>JANUS INTERNATIONAL CORPORATION</b>
134 EAST LUKE ROAD TEMPLE, GA 30179-4435
770-562-2850/Fax 770-562-2284
© 2005 Janus International Corporation All Rights Reserved

MINI HOOD  
INSTALLATION

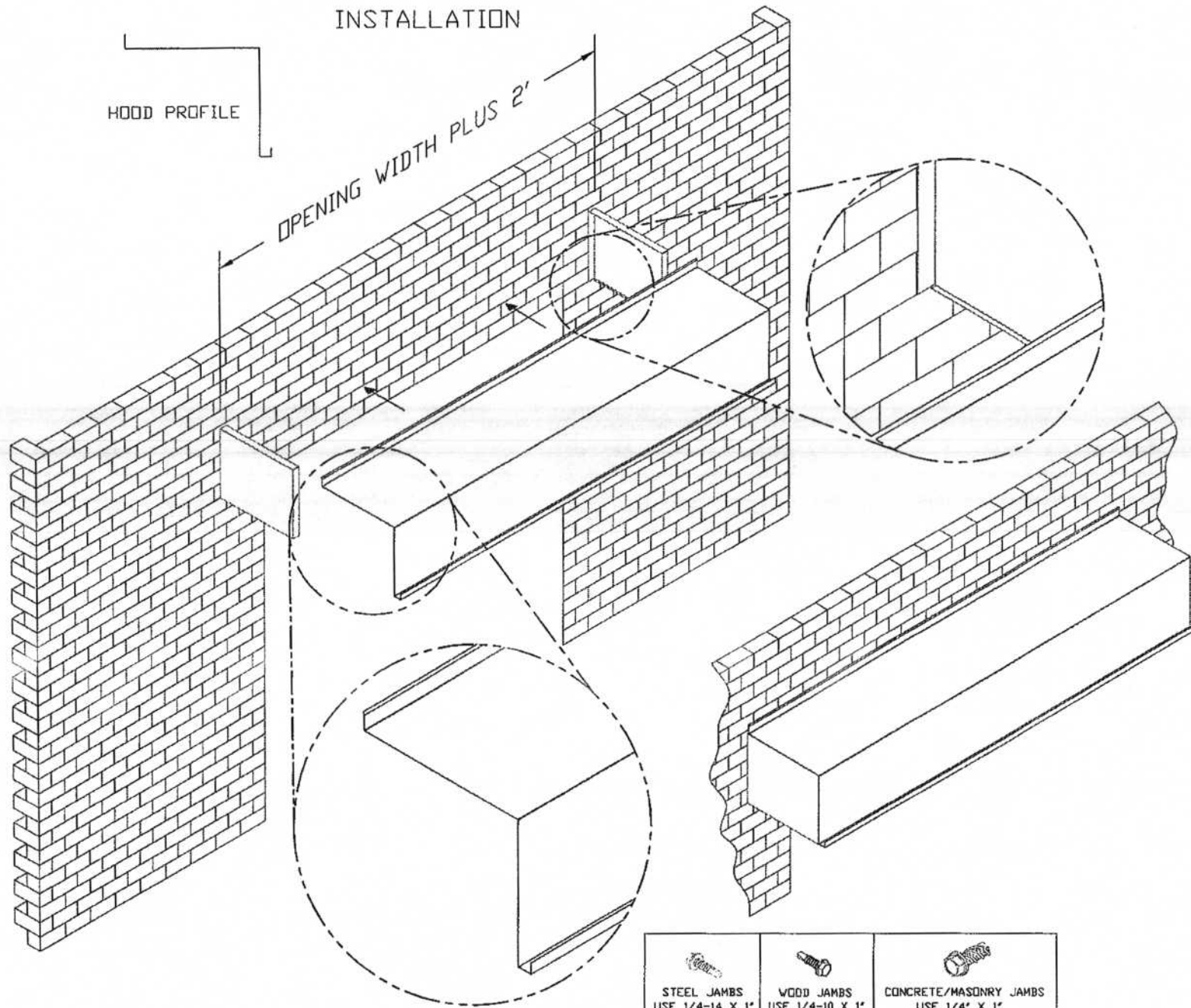
HOOD PROFILE




OPENING WIDTH PLUS 1'

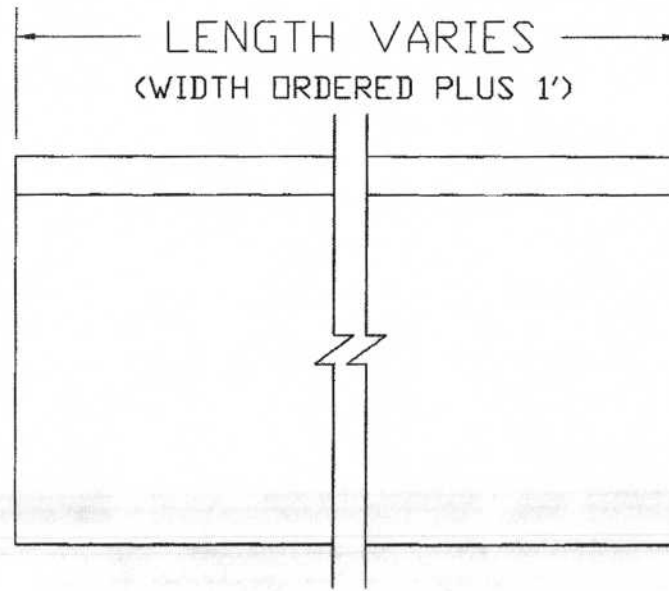
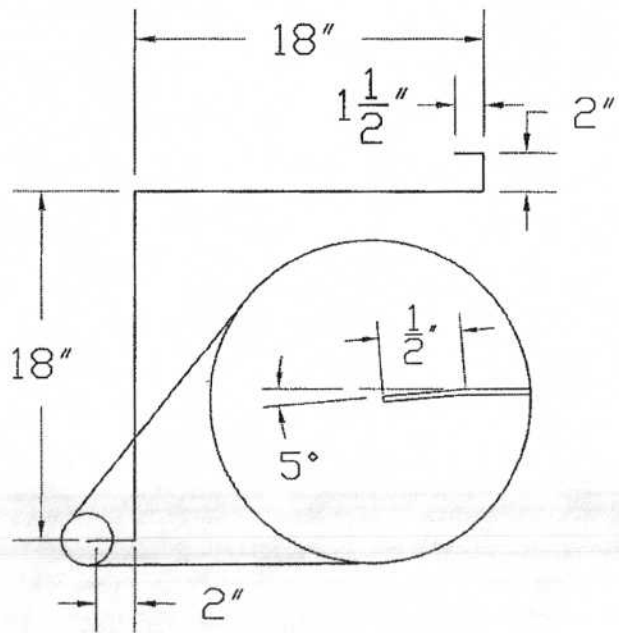


 STEEL JAMBS USE 1/4-14 X 1" TEKS SCREW	 WOOD JAMBS USE 1/4-10 X 1" LAG SCREW	 CONCRETE/MASONRY JAMBS USE 1/4" X 1" POWERS WEDGE BOLT
---	---	---

# COMMERCIAL HOOD INSTALLATION

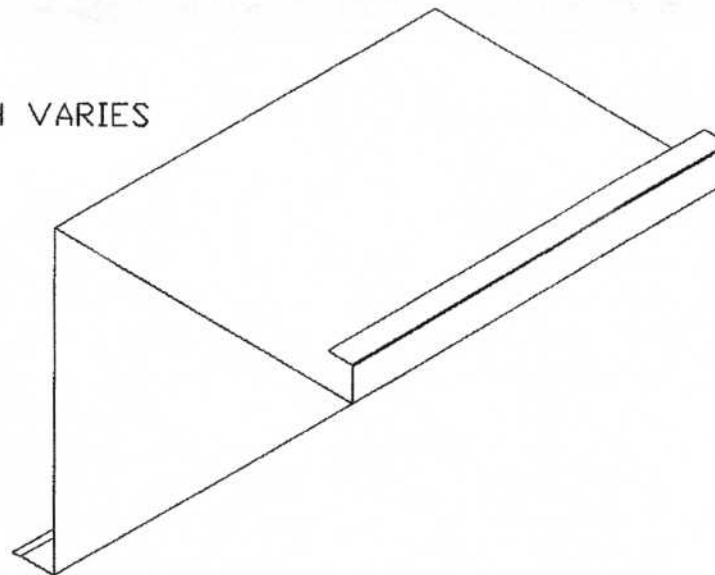


 STEEL JAMBS USE 1/4-14 X 1" TEKS SCREW	 WOOD JAMBS USE 1/4-10 X 1" LAG SCREW	 CONCRETE/MASONRY JAMBS USE 1/4" X 1" POWERS WEDGE BOLT
---	---	---



STRIP WIDTH & LENGTH: 42" X LENGTH VARIES

\*\*ALL DIMENSIONS I.D.\*\*



NOT TO SCALE

DATE: 1-6-05 REVISED  
 DRAWN BY: BECKY NELSON  
 APPROVED BY: JEAN BROWN

DRAWING:

HOOD-MINI  
 20 GAUGE (.0315)  
 F08023

**JANUS INTERNATIONAL CORPORATION**  
 134 EAST LUKE ROAD TEMPLE, GA 30179-4435  
 770-562-2850/Fax 770-562-2264  
 © 2005 Janus International Corporation All Rights Reserved